

Box contains:

- * SMART
- * EURO cable
- * Rubber seal
- * CD rom with manuals en software

Penko Engineering B. V. Wageningselaan 52-54, 3903 LA Veenendaal, Postbus 399, 3900 AJ Veenendaal,
 Telephone: 0031(0)318 525630*, e-mail: info@penko.com Web-site: www.penko.com FAX: 0031(0)318 529715,
 Bank: Mees Pierson Rotterdam nr.25.67.24.601, Postgiro v/d Bank: 6400, K.v.K. Utrecht nr. 67751.



SMART

Quick Start

- 1 Front explanation
- 2 First use of the indicator
- 3 Overview
- 4 Loadcell connections
- 5 I/O connections
- 6 Communication ports
- 7 Programming software

For more information see the manual on the CD rom

Front explanation

1



- UP : Function key1*/Zero/Reset zero**
- DOWN : Function key2*/Tare/Reset tare**
- LEFT : Function key3*/Preset tare
- RIGHT : Function key4*/right key/printing
- ENTER : Function key5*/memory/enter
- ESCAPE : Function key6*/esc key

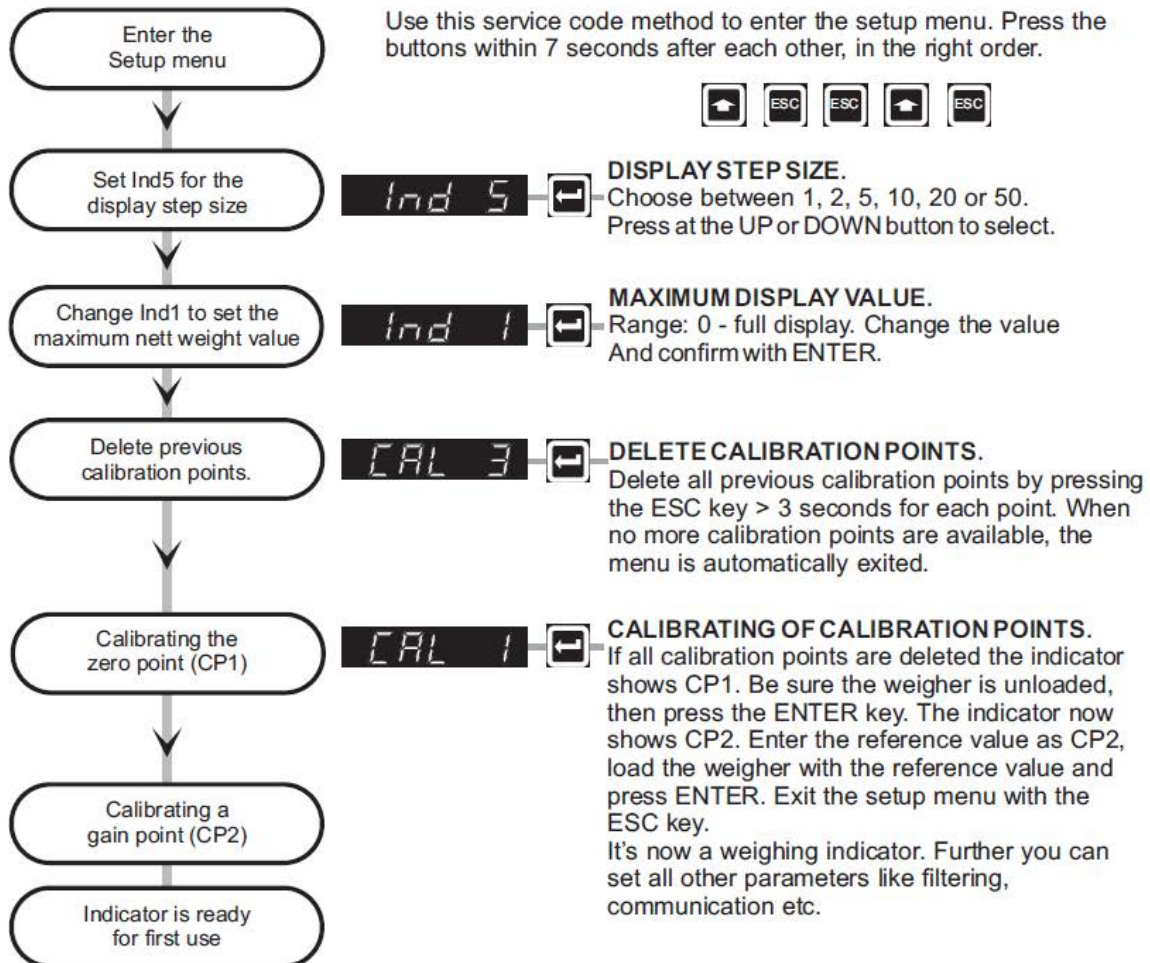
*The function keys can be programmed in PI
 **To enter 2nd function press key >3 sec



Update BA
12-12-2003

2

FIRST USE OF THE INDICATOR

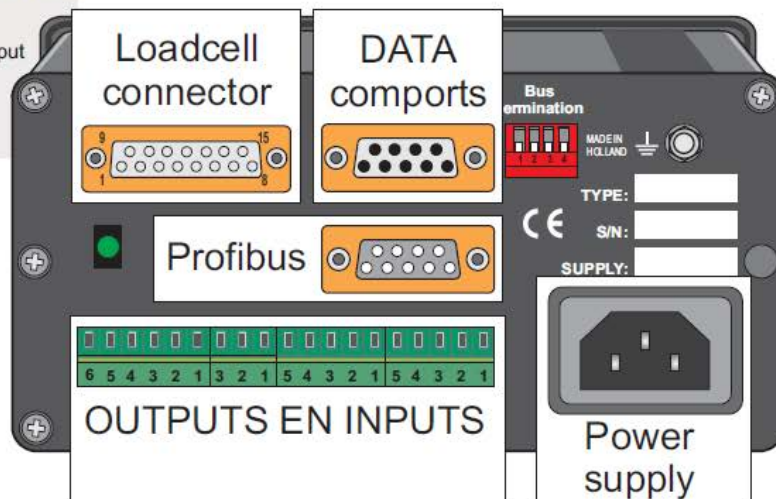


3

Overview

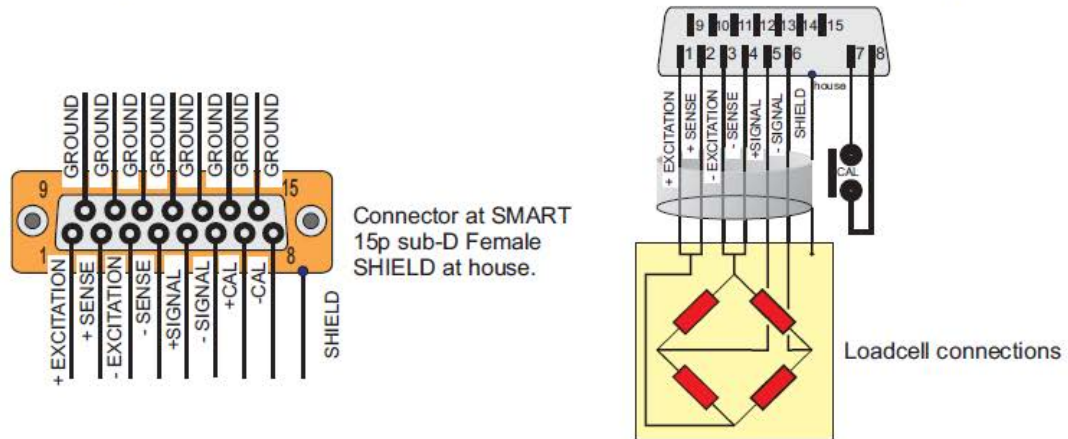
The **SMART** has 4 options for I/O modules

- Option-A: 8 inputs, 8 outputs or
- Option-B: 4 outputs, 1 analog output and Extra option
- Option-C: Profibus or
- Option-D: Ethernet



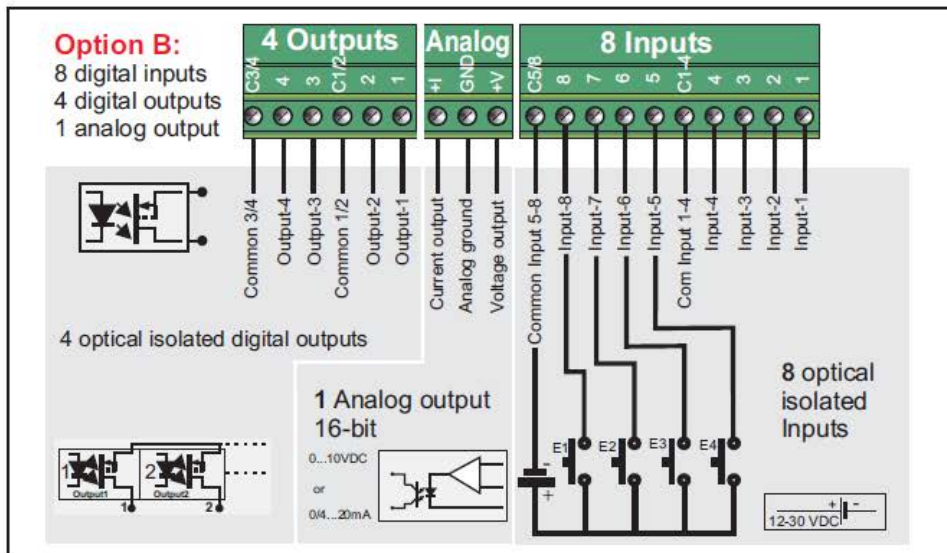
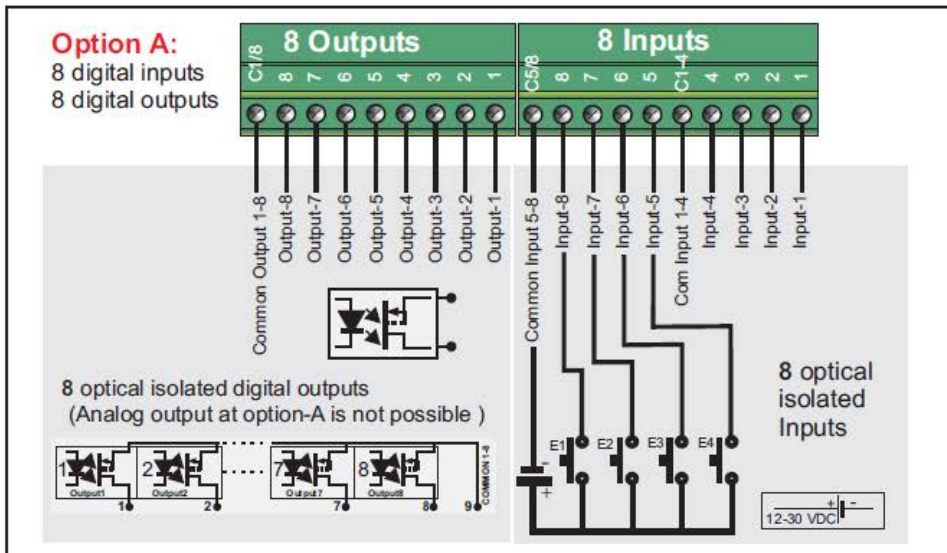
Loadcell(s) wiring connections

4



Digital In-/Outputs/Analog output

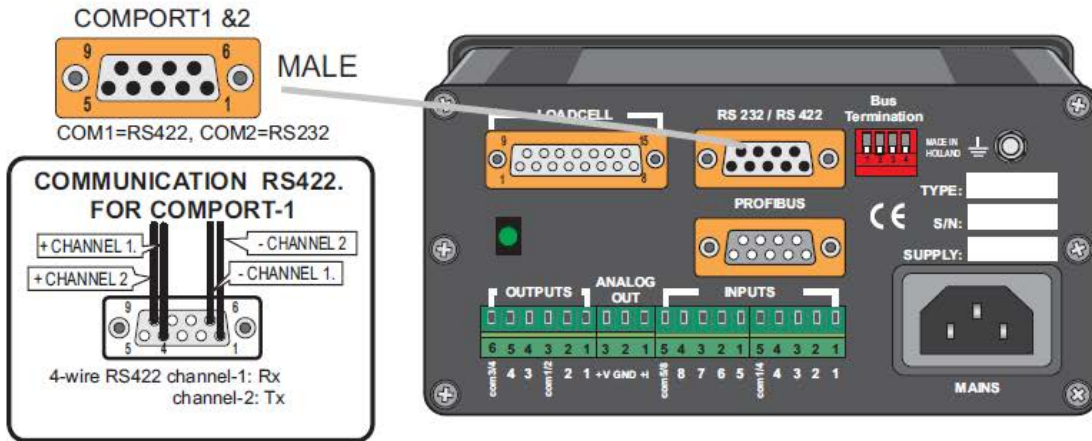
5




The SMART has 2 options for I/O modules:
Option-A: 8 inputs, 8 outputs
Option-B: 8 inputs, 4 outputs, 1 analog output

6

Communication ports

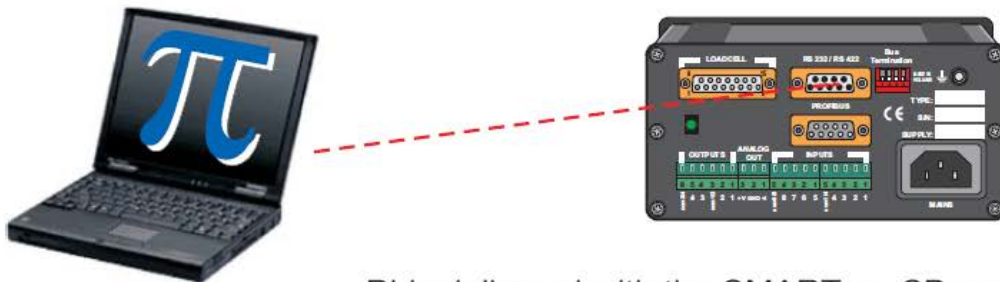


Select a protocol for the communication menu in the SMART menu. Press , select menu “---PORT”. Select a comport, select a protocol and set the baudrate at “---BDR” and at “---CHN” the address. Profibus DP port is **optional** and when available mounted.

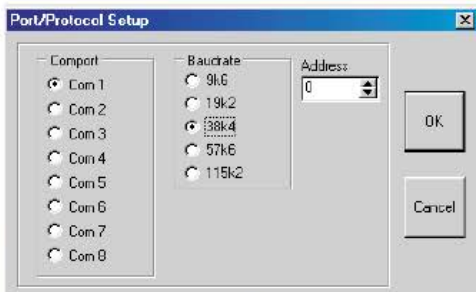


7

Programming software

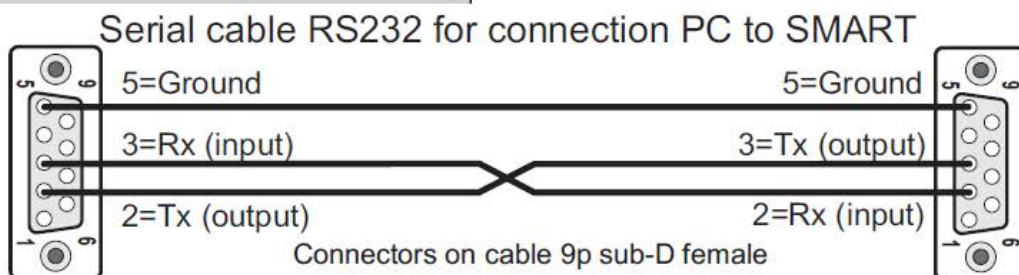


PI is delivered with the SMART on CD rom.



Copy the program file PI.exe in a new map Start the program PI.exe. Select Comport in the menu Enviroment. Select a communication port of the PC and select the communication baudrate. All data like programs, labels etc. will be stored in the map where you start PI.

PC-serial comport RS232



SMART serial port RS232