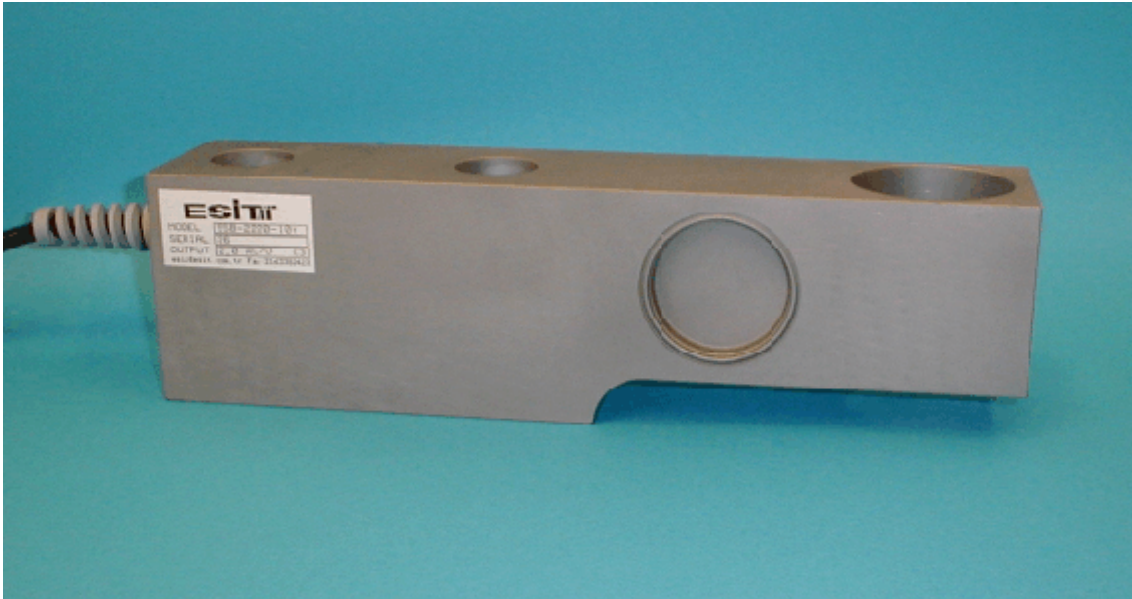


DAN-TRANSDUCER ApS

SHEAR BEAM LOAD CELL
CAPACITIES: 2.000 KG TO 10.000 KG

MODEL SSB 2220



MODEL SSB 2220

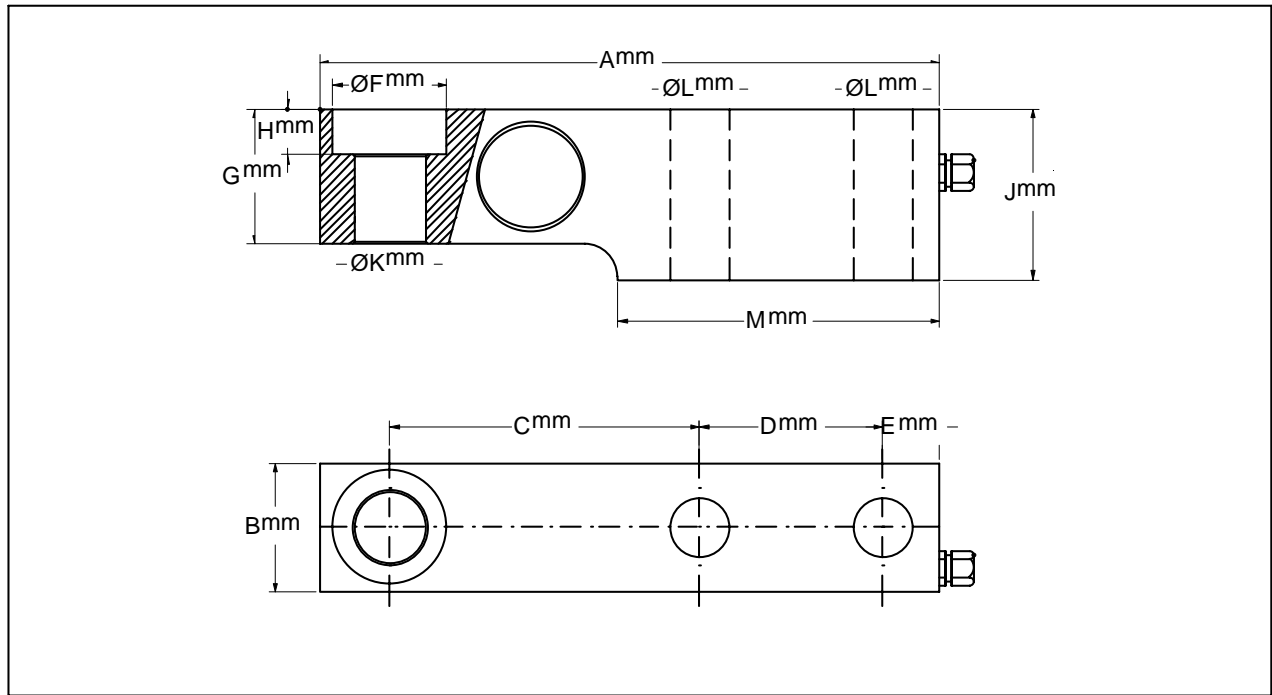
COMPLETE SERIE OF LOAD CELLS FOR PLATFORM SCALES, TANKS-, HOPPER SCALES AND FOR MOBILE WEIGHING

- LOAD CELL SERIE SSB SHEAR BEAMS FOR THE INDUSTRY
- 3000 DIVISIONS O.I.M.L. R60, STANDARD CONDITIONS.
- SIMPLE TO INSTALL AND TO REPLACE
- FULLY WELDED STAINLESS STEEL, HERMETICALLY SEALE, TO IP 68
- CAPACITIES: 2.000, 5.000, 10.000 KG
- LIGHTNING PROTECTION AVAILABLE
- FEET AND MOUNTINGS FOR ALL CAPACITIES AVAILABLE
- INDICATORS AVAILABLE, STANDARD AND STAINLESS STEEL, IP 67

DAN-TRANSDUCER ApS

Fiskerengen 5, DK-3250 Gilleleje - Phone: +45 48 22 44 02 - Fax: +45 48 22 44 06
www.dan-transducer.com, E-mail: info@dan-transducer.com

DAN-TRANSDUCER ApS



DIMENSIONS

DIMENSIONS mm	A	B	C	D	E	F	G	H	J	K	L	M
1000-2000 Kg	203	36,5	B98	63,5	19	30	36,5	12	47,5	17,5	13	102
5000 Kg	235	47,5	123,5	66,5	20,5	41	47,5	15,5	70	25,5	22	116
10000 Kg	279,4	58	139,7	82,6	25,4	51,1	61	20,7	77	31,8	27	144,7

SPECIFICATIONS

	UNITS	AMOUNT
Maximum capacity, (Emax.)	Kg.	2000, 5000, 10.000
Accuracy class	OIML, C3	3000 DIVISIONS
Sensitivity	MV/V	2,0 +/-0,1%
Safe load limit (Elim.)	% of Emax.	>150
Linearity error	%	<+/-0,015
Apportionment factor	-	0,7
Repeatability	%	<+/-0,012
V. min.	%Emax	0,006
Minimum dead load O/P return	%Emax	0,0025
Temperature effects: Zero	%/°C	<+/-0,0012
Temperature effects: Span	%/°C	<+/-0,0010
Creep error, 30 Min.	%	<+/-0,015
Temperature rating	°C	-10 to +40
Nominal input voltage (Max)	V ac or dc	10 (15)
Input resistance	Ohm	400+/-25
Output resistance	Ohm	350+/-5
No load out put	%	<+/-2
Cable length	Meters	3, 5, 6
Insulation resistance	M ohms	>5000

ELECTRICAL CONNECTION

CABLE	POLYURETHANE, Ø 5,4MM; 7meter	
+EXCITATION	RED	or Green
-EXCITATION	BLUE	or Black
+SIGNAL	GREEN	or White
-SIGNAL	YELLOW	or Red

DAN-TRANSDUCER ApS

Fiskerengen 5, DK-3250 Gilleleje - Phone: +45 48 22 44 02 - Fax: +45 48 22 44 06
www.dan-transducer.com, E-mail: info@dan-transducer.com