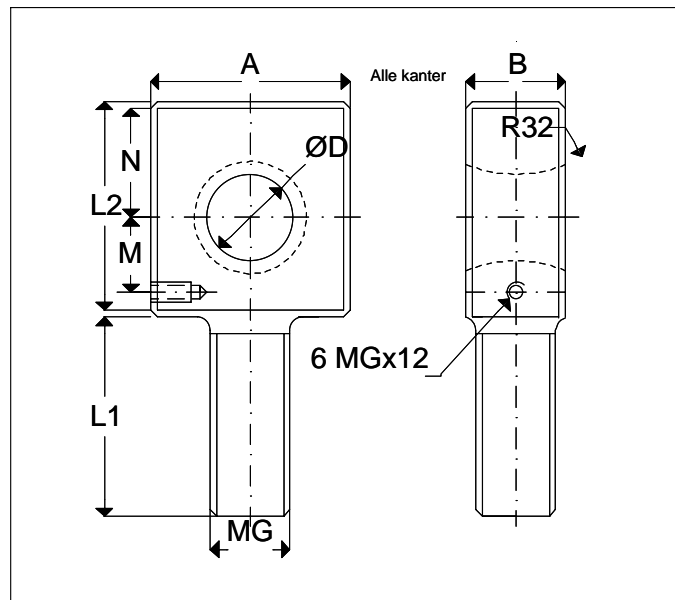


DAN-TRANSDUCER ApS

EYE-BOLTS IN STAINLESS STEEL FOR S-TENSION LOAD CELLS



DIMENSIONS

MODEL	A	B	ØD	L1	L2	M	N
MG 8 x 1,25	25	10	10	20	40	15	15
MG 10 x 1,5	25	10	12	20	40	15	15
MG 12 x 1,75	30	12	14	25	40	12	20
MG 20 x 1,5	40	18	18	35	50	15	25
MG 24 x 2,0	60	30	27	55	65	25	32

DAN-TRANSDUCER ApS

Fiskerengen 5, DK-3250 Gilleleje - Phone: +45 48 22 44 02 - Fax: +45 48 22 44 06
www.dan-transducer.com, E-mail: info@dan-transducer.com