

DAN-TRANSDUCER ApS

**STANDARD FOOT IN STAINLESS STEEL
CAPACITY: 2000 KG**

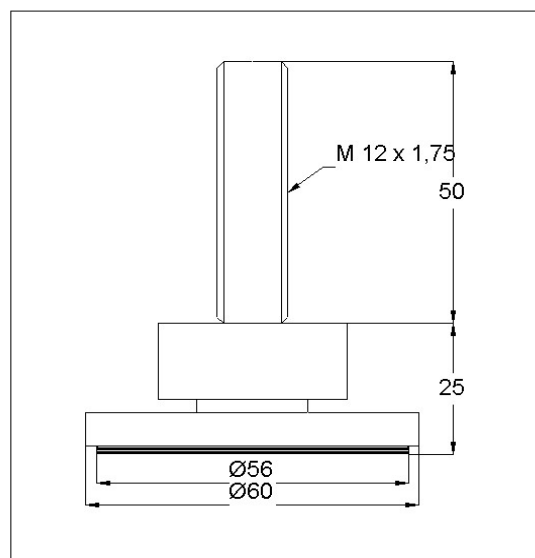


Model DT 1M12

THIS FOOT, WHICH IS MADE WITH A ROCKER PIN, IS MADE ESPECIALLY FOR THE WEIGHING INDUSTRY IN THE APPROVED WEIGHING FIELD.

IT IS EQUIPPED WITH A RUBBER PLATE TO MAKE PROPER CONTACT TO THE FLOOR.

THE FOOT CAN BE MADE IN OTHER SIZES AND CAPACITIES. PLEASE ASK.



DAN-TRANSDUCER ApS

Fiskerengen 5, DK-3250 Gilleleje - Phone: +45 48 22 44 02 - Fax: +45 48 22 44 06
www.dan-transducer.com, E-mail: info@dan-transducer.com