

Box contains:

- * MiniMate
- * EURO cable
- * Rubber seal
- * Drilling drawing
- * CD rom with manuals en software

Penko Engineering B.V. Wageningselaan 52-54, 3903 LA Veenendaal, Postbus 399, 3900 AJ Veenendaal,
 Telephone: 0031(0)318 525630*, e-mail: info@penko.com Web-site: www.penko.com FAX: 0031(0)318 529715,
 Bank: Mees Pierson Rotterdam nr.25.67.24.601, Postgiro v/d Bank: 6400, K.v.K. Utrecht nr. 67751.



MiniMate Quick Start

- 1 Keyboard / Front explanation (1)
- 2 Keyboard / Front explanation (2)/ Board layout
- 3 Board layout
- 4 Loadcell connections
- 5 I/O connections
- 6 Communication ports
- 7 Programming software

For more information see the manual on the CD rom

Keyboard / Front explanation (1)

1

- : Stable
- : Zero
- NET : Nett value
- COM : Indicator selected
- F1...F4 : not defined

- : Zero/Reset zero**
- : Tare/Reset tare**
- : Preset tare
- : Stop program
- : Start program



In- & Output status

**To enter 2nd function press key >3 sec



Update BA
12-12-2003

2

Keyboard / Front explanation (2)

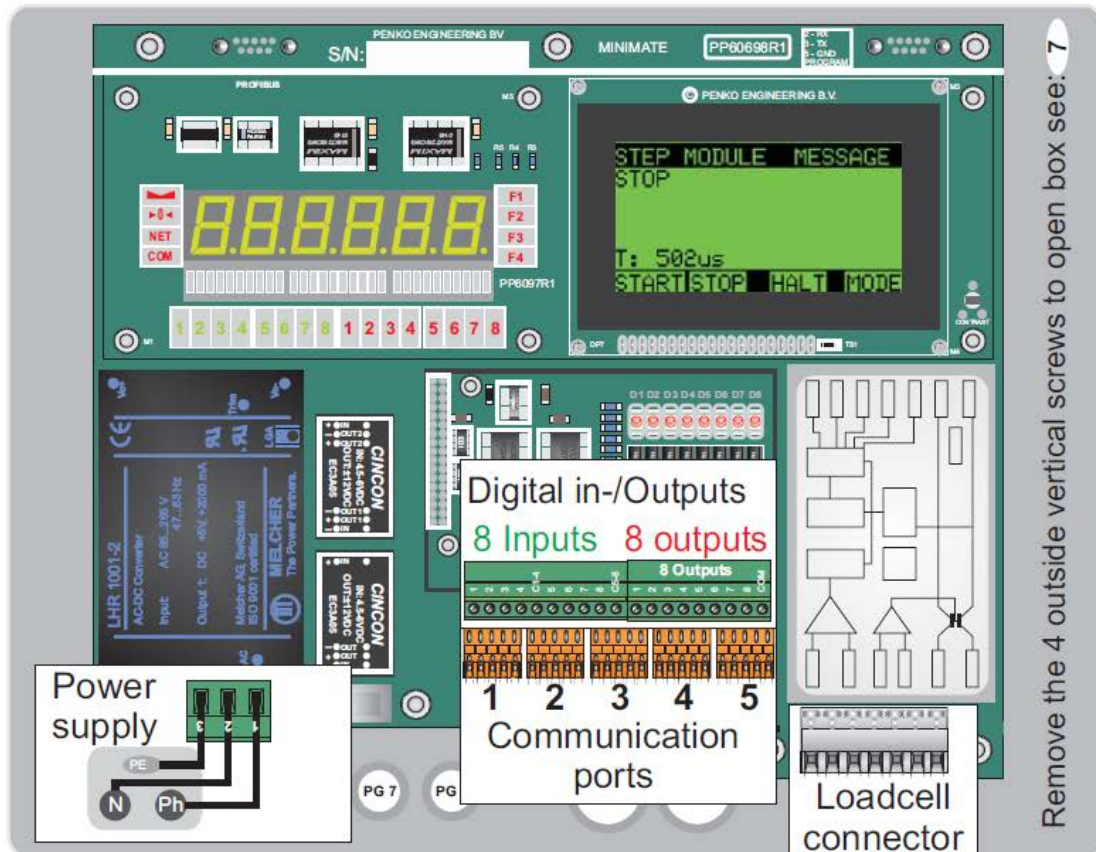


Alpha-numeric keyboard to edit values and labels
****To enter 2nd function press key >3 sec**

- MENU : Display function keys
- MENU : Select program/Setup**
- RCP : Select recipe/Configuration**

3

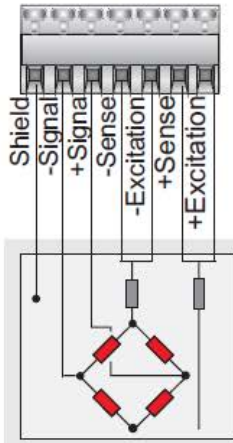
Board layout



Remove the 4 outside vertical screws to open box see: 7

Loadcell(s) wiring connections

4



Loadcell connections

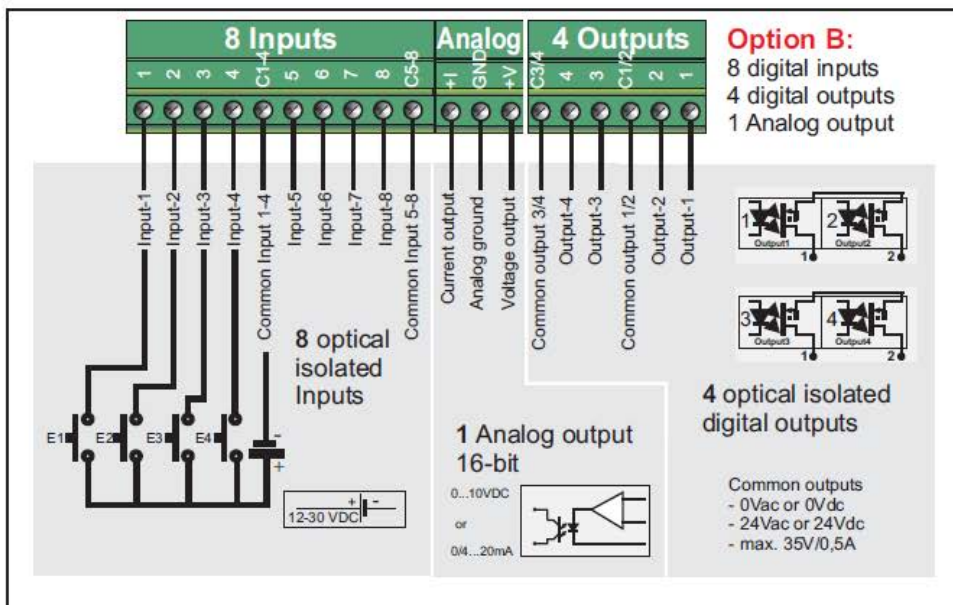
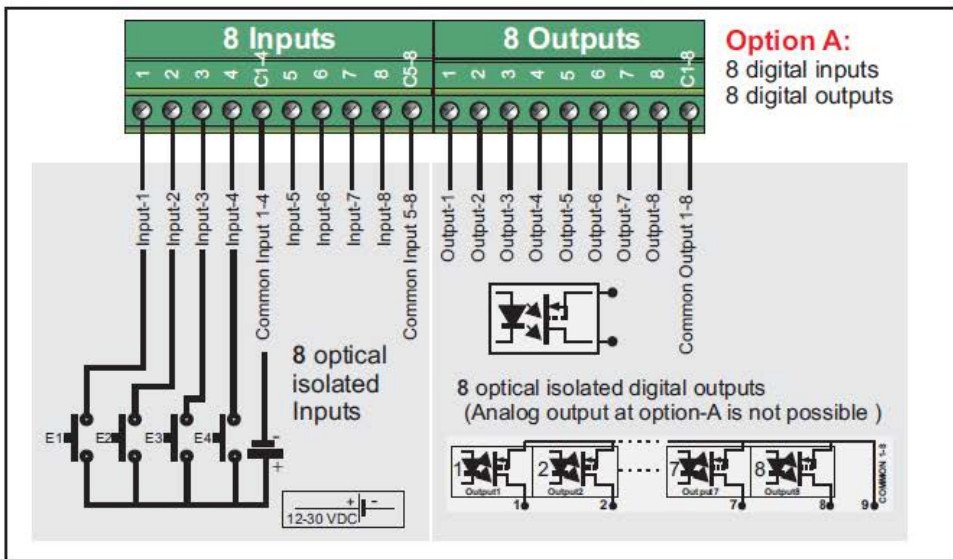
6-Wire loadcell

when using loadcells with 4 wire strain gauge cabling, make the following connections at the minimate:

- the + Excitation with + Sense
- the - Excitation with - Sense.

Digital In-/Outputs/Analog output

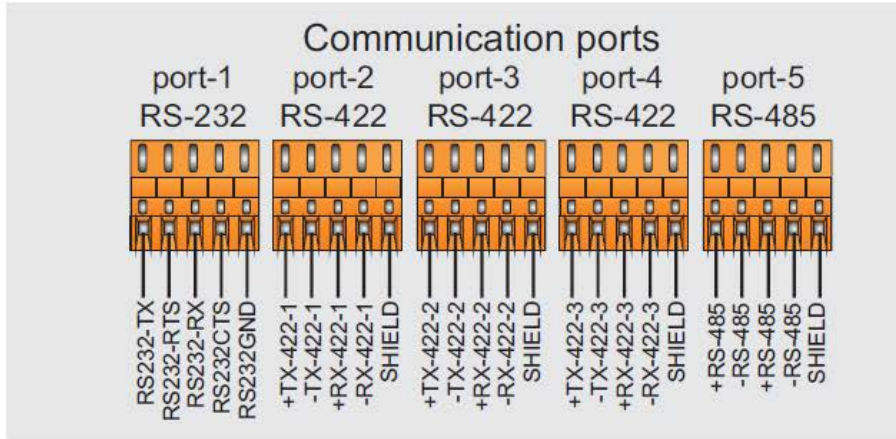
5



The minimate has 2 options for I/O modules:
Option-A: 8 inputs, 8 outputs
Option-B: 8 inputs, 4 outputs, 1 analog output

6

Communication ports

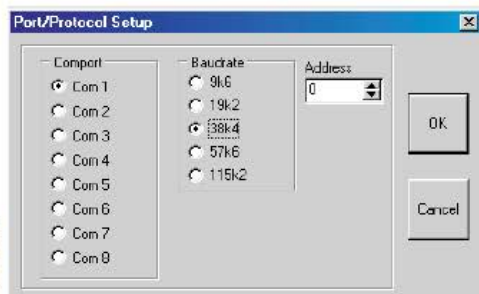


Select a protocol for the communication menu in the port setup menu. Press menu-key >3 seconds, select menu "port setup". Select a port, select a protocol and set the baudrate and/or address. Port-5 is defined as the Penko Link protocol to connected up to 8 devices.

PROFI Profibus DP port is optional and when available mounted at backside of Minimate.

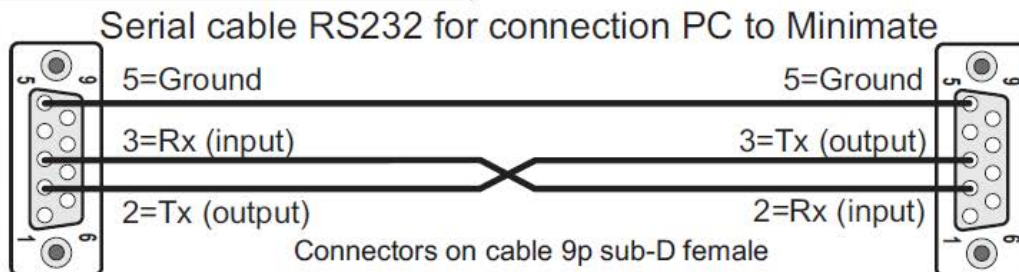
7

Programming software



Copy the program file PI.exe in a new map Start the program PI.exe. Select Comport in the menu Enviroment. Select a communication port of the PC and select the communication of 38k4. All data like programs, labels etc. will be stored in the map where you start PI.

PC-serial comport RS232



Minimate serial port RS232