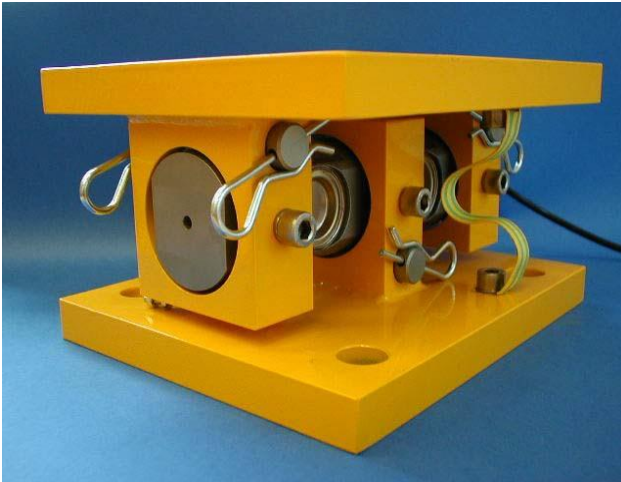


SILO LOAD CELLS AS DOUBLE SHEAR BEAMS CAPACITIES: 5 - 100 TONS

MODEL DT 3550



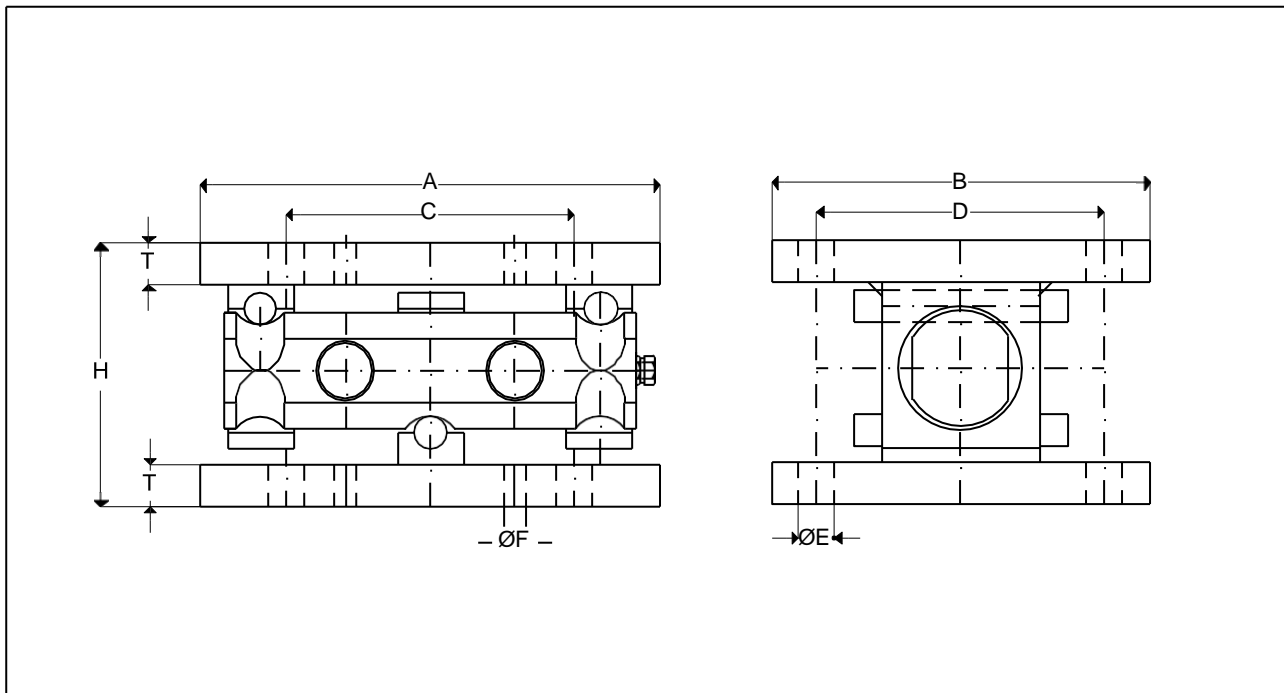
MODEL DT 3550



LOAD CELL DT 3550

COMPLETE SERIE OF LOAD CELLS WITH MOUNTINGS FOR SILOS, TANKS ETC.

- STAINLESS STEEL LOAD CELLS
- MOUNTINGS IN PAINTED STEEL WITH OPTION IN STAINLESS STEEL
- FULLY WELDED LOAD CELL UP TO IP 68
- 3000 DIVISIONS
- LOW COST INSTALATION WITH LOW PROFILE
- INTEGRATED LIFT OFF PREVENTION
- MODEL DT 3550 ALLOWS EXPANSION OF SILO OR TANK
- OPTION: LOW COST JACKING POSSIBILITY
- DT 3550 ACCEPTS OUT OF LEVEL INSTALLATION: 3 DEGREES



DIMENSIONS

MODEL	RANGES	SIZE	H	A	B	C	D	T	E	F	CABLE
3550	1 - 5 TE	1	88	150	124	105	94	12,7	13	13	6 M
3550	2 - 20 TE	2	117	200	165	140	125	18	18	13	10 M
3550	10 - 50 TE	3	162	280	230	175	175	25	22	21	10 M
3550	75 TE	4	184	300	250	240	190	25	26	21	10 M
3550	100 TE	5	210	320	300	250	230	30	26	21	10 M

SPECIFICATIONS

	UNITS	DATA
Standard load ranges	TE	2, 5, 10, 20, 30, 50, 100
Full Load Output	mV/V	2,0+/-0,15%
Excitation, dc or ac	Volt	10(15)
Safe service load	%	150
Ultimate Load	%	300
Combined Error	%	<0,03
Repeatability	%	<0,02
Output at Zero Load	%	<2
Input Resistance	Ohms	750+/-25
Output Resistance	Ohms	700+/-3
Operational Temp.	*C	-20 to +80
Compensated Temp.	*C	-10 to +40
Temp. Coeff. of Zero	%/*C	<0,005
Temp. Coeff. of Span	%/*C	<0,004
Creep in 30 Minutes	%/*C	<0,02
Insulation	M Ohms	>500 at 100V.dc

ELECTRICAL CONNECTION

CABLE	POLYURETHANE Ø 5,4 mm
+EXCITATION	RED
-EXCITATION	BLUE
+SIGNAL	GREEN
-SIGNAL	YELLOW